

GrabLOC Fittings & Wrenches

GrabLOC™ Double Containment Fittings (Non-Terminating)

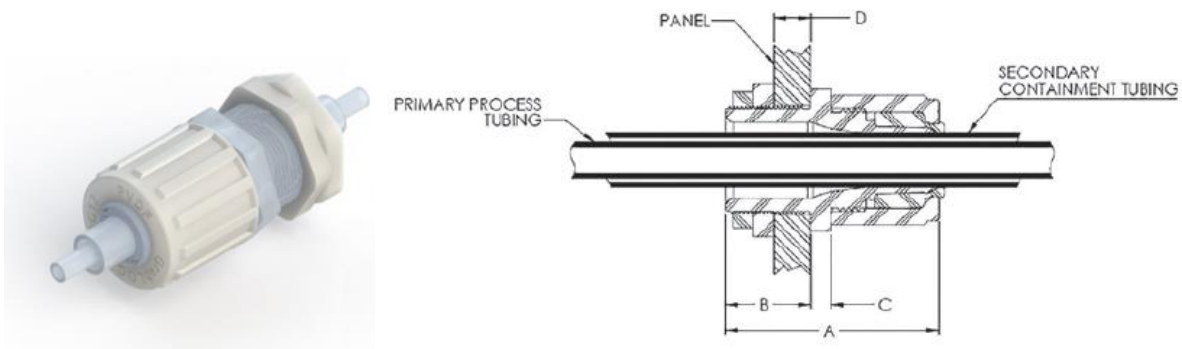
PMBP series panel mount fittings allow the primary and secondary tubes to pass through the fitting body. This allows chemistry to flow back to the supply source if the primary tube leaks.

Features

- PFA Fitting Body
- PVDF Nut

Part No.	Secondary Containment Tubing	A	B	C	D	Panel Mount Hole	Primary Tubing Sizes
PMBP8GLN-1	1/2	2.79	1.11	.29	.50	1-1/4	1/4
PMBP12GLN-1	3/4	3.01	1.13	.38	.50	1-1/2	1/2, 3/8, 1/4
PMBP16GLN-1	1	3.47	1.27	.38	.50	2	3/4, 1/2, 3/8, 1/4

Tubing not included. Shown for clarity only.



CCT Europe

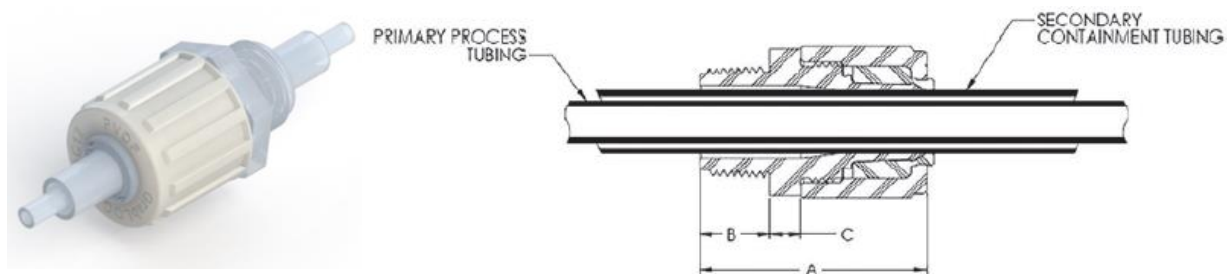
MCBP series fittings are used on a box or cabinet that have a female NPT. The primary and secondary tubing pass through the fitting body. This allows chemistry to flow back to the supply source if the primary tube leaks.

Features

- PFA Fitting Body
- PVDF Nut
- MNPT Connection

Part No.	Secondary Containment Tubing	Male National Pipe Thread (MNPT)	A	B	C	Primary Tubing Sizes
MCBP8GL-12N-1	1/2	3/4	2.35	.67	.29	1/4
MCBP12GL-16N-1	3/4	1	2.73	.85	.38	1/2, 3/8, 1/4
MCBP16GL-20N-1	1	1-1/4	3.07	.86	.38	3/4, 1/2, 3/8, 1/4

Tubing not included. Shown for clarity only.



Contact CCT Europe for more information

Contamination Control Technologies Europe B.V.

Bindersstraat 31 D
5701 SX HELMOND
THE NETHERLANDS
T: +31 492 780178
F: +31 492 780179

VAT no.: NL805 935 757 B01
EORI no.: NL805 935 757
Ch. Of Commerce: 090 75 918
Email: cct@cct-europe.com

IBAN: NL39ABNA0641084110
BIC: ABNANL2A
Account no.: 64.10.84.110
ABN Amro Bank Nederland