



international polymer solutions

PTFE Stopcocks

Stopcock Valves are precision machined devices that function in much the same way as a ball valve. When the handle points in the direction of flow, the valve is fully open; when the handle points perpendicular to the direction of flow, the valve is fully closed; and at the 45° position the valve is halfway open and thereby has a metering effect on the media flow.

The IPS Stopcock features an all PTFE wetted surface design. The design is ideally suited for harsh chemical and corrosive media and environments. Poly-tetrafluoroethylene (PTFE), commonly known by its popular E.I. DuPont trade name TEFLON®, is also well suited to clean room and deionized water applications.

The body, stem and ports are constructed from PTFE. For standard applications, external non wetted components are constructed from Polypropylene. All configurations are optionally available as Panel Mounted and/or High Ambient Temperature models.



Stopcock Specifications

Media Pressure	60 psi
Media temperature	110° C / 230° F
Ambient temperature	65° C / 150° F
Sealing	Bubble Tight
All Wetted Surfaces	Virgin PTFE

Call IPS for:

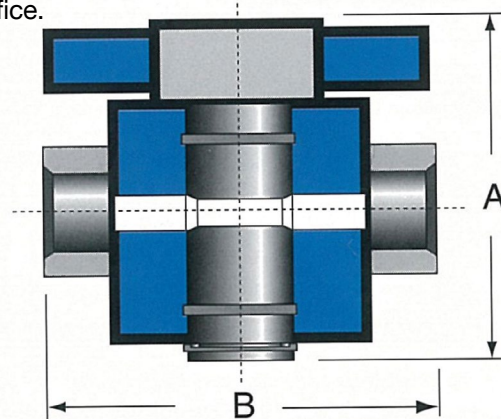
- Metric Tube End options
- Male Pipe End options
- Sanitary Connection options



Stopcock Valve: ORDERING FORMAT

- Stem Type must be specified for all 3-Way Stopcock Valves (-3T or -3L).
- 4-Way Stopcock Valves are available. Please call IPS to properly configure your selection.
- The valve flow orifice is governed by your port end connections (FNPT, Tube or Flared) unless requested otherwise. Please call IPS to configure a restrictive Valve Stem Orifice.

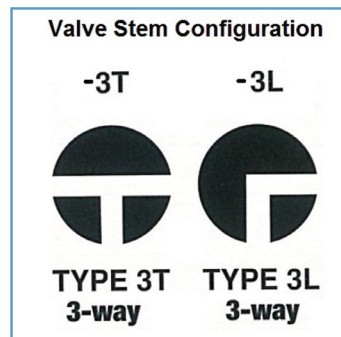
Part No.	Body Style	Connection
SC-200	2-way	1/16" Tube
SC-201	3-way	1/16" Tube
SC-400	2-way	1/8" FNPT
SC-401	3-way	1/8" FNPT
SC-403	2-way	1/8" Tube
SC-404	3-way	1/8" Tube
SC-409	2-way	1/4" FNPT
SC-410	3-way	1/4" FNPT
SC-412	2-way	1/4" Tube
SC-413	3-way	1/4" Tube
SC-500	2-way	1/4" FNPT
SC-501	3-way	1/4" FNPT
SC-503	2-way	1/4" Tube
SC-504	3-way	1/4" Tube
SC-506	2-way	1/4" Flared
SC-507	3-way	1/4" Flared
SC-600	2-way	3/8" FNPT
SC-601	3-way	3/8" FNPT
SC-609	2-way	3/8" Tube
SC-610	3-way	3/8" Tube
SC-612	2-way	3/8" Flared
SC-613	3-way	3/8" Flared
SC-700	2-way	1/2" FNPT
SC-701	3-way	1/2" FNPT
SC-709	2-way	1/2" Tube
SC-710	3-way	1/2" Tube
SC-712	2-way	1/2" Flared
SC-713	3-way	1/2" Flared
SC-800	2-way	3/4" FNPT
SC-801	3-way	3/4" FNPT
SC-809	2-way	3/4" Tube
SC-810	3-way	3/4" Tube
SC-812	2-way	3/4" Flared
SC-813	3-way	3/4" Flared



Basic Dimensions

Series	Dim A	Dim B	Dim C	Dim D
200	1.4	1.5	1.0	1.2
400	1.7	1.9	1.0	1.6
500	1.9	2.3	1.2	2.0
600	2.0	2.4	1.2	2.1
700	3.5	3.8	1.5	3.5
800	3.5	3.8	2.3	3.5

- For Panel Mount add 1" to the above Dim A values.
- Dim C is the width of the 2-Way valve body.
- Dim D is the width of the 3-Way valve body & 3rd port.
- For Flared Connections add ~3/8" per port.



Example Part No.:

SC-501-3T
 SC-501-3L-P
 SC-501-3T-P-HT

Options:

- Add "-P" to the end of the Part Number to specify a Panel Mount configuration.
- Add "-HT" to the end of the Part Number for high ambient temperature conditions. This is only required for room temperatures above 140°F. The external non wetted components are changed to PVDF.

IPS Product Notes:

1. Please email Customer Service at info@ipolymer.com
2. Call us for special applications. We can manufacture our Valves with special mounting and interface dimensions.
3. Upon request, alternate material selection from those listed will allow for expanding temperature ratings or other performance characteristics.
4. Unauthorized disassembly of this product will void the original factory one-year product warranty. For further details please contact your local Distributor or our factory directly.